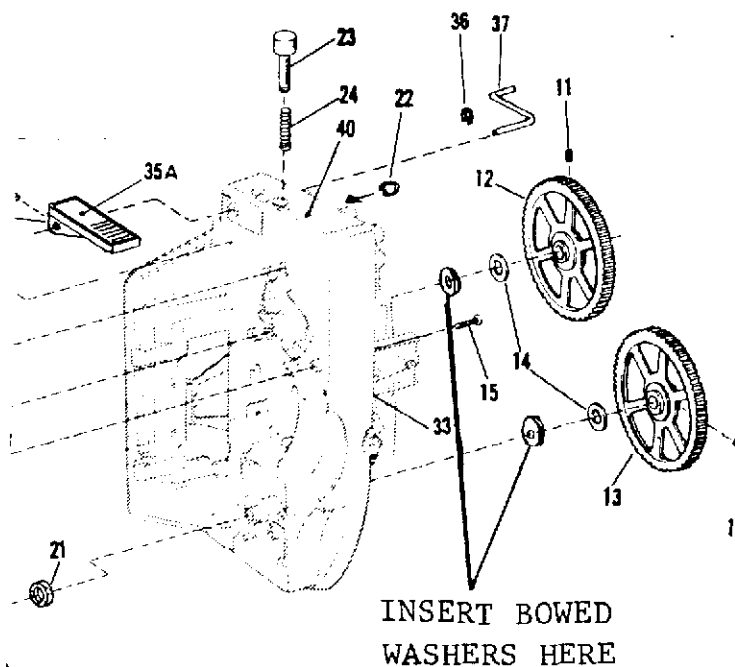


A-77-241

Subject: SPROCKET NOISE 1500 & 1600 SERIES PROJECTORS Date: 8-19-77

Reference: Service Manuals: 72774, 72745, 73468, 73583, 73584,
73591, 73596

Noise problems emanating from the sprocket area on these projectors can be reduced significantly by inserting one (1) bowed washer P/N 708640 between the sprocket gear washer and the end of the mechanism housing oilite bearing on both upper and lower sprocket shafts. Shown in diagram below where to insert bowed washer in correct assembly procedure.



GENERAL SERVICE DEPARTMENT