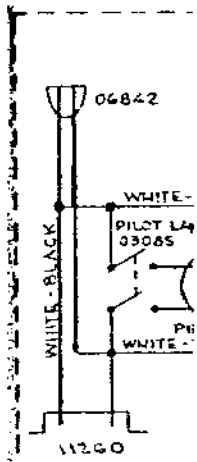
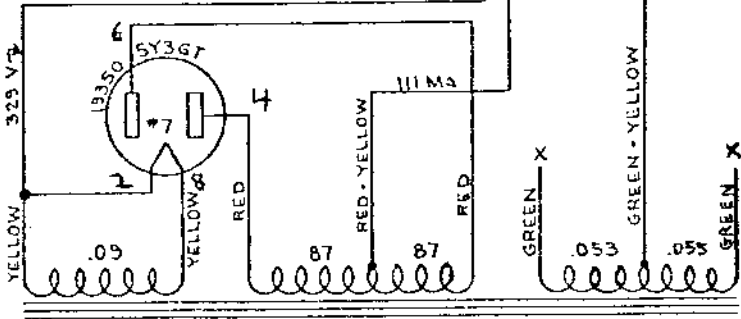


M = 1,000 (K)  
FOR RESISTORS  
ON THIS  
SCHEMATIC ONLY

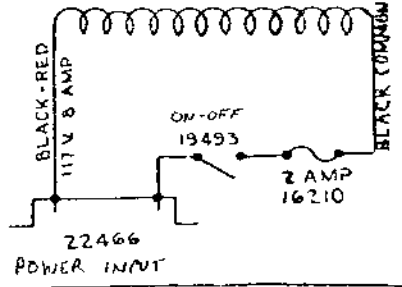
WIRE COLOR CODE			
WHITE	GROUND	BROWN	SCREEN
YELLOW	GATHODE	BLUE	PLATE
RED	B+	BLACK	HEATER
GREEN	GRID	BLACK & WHITE	B-

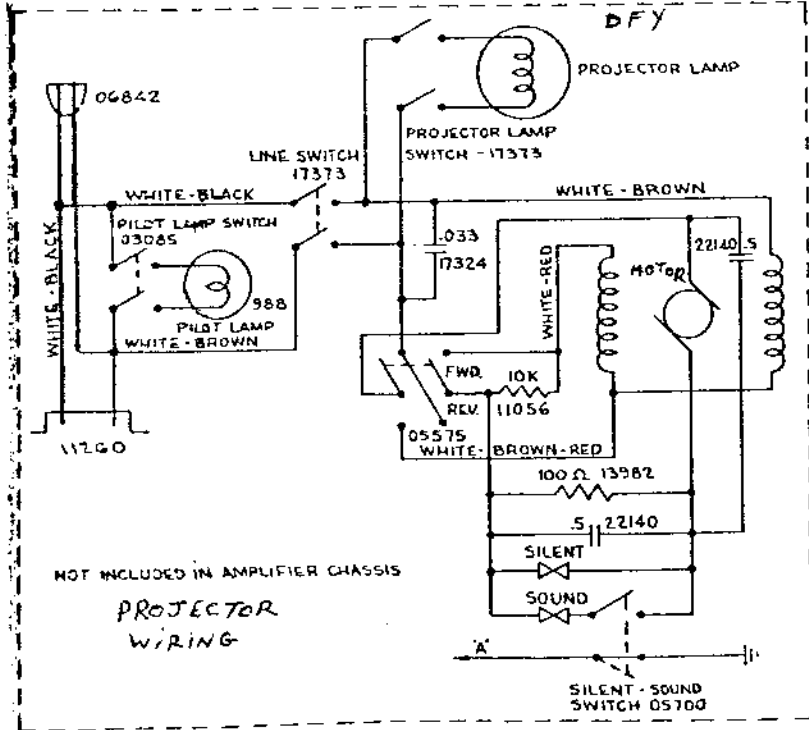
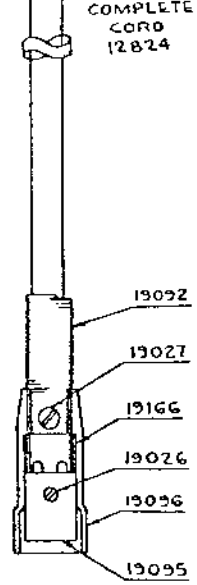
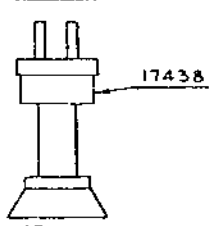
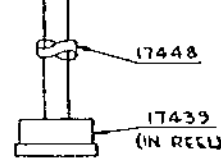
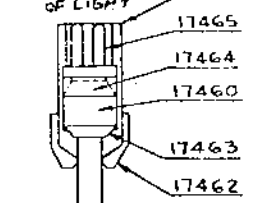
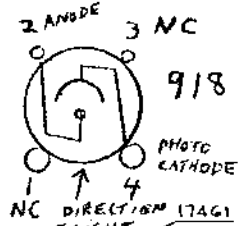
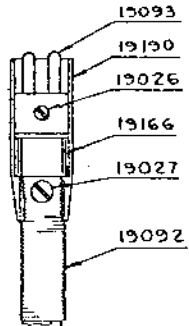
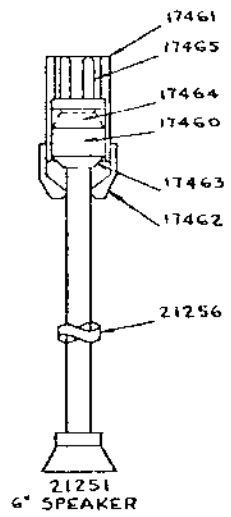
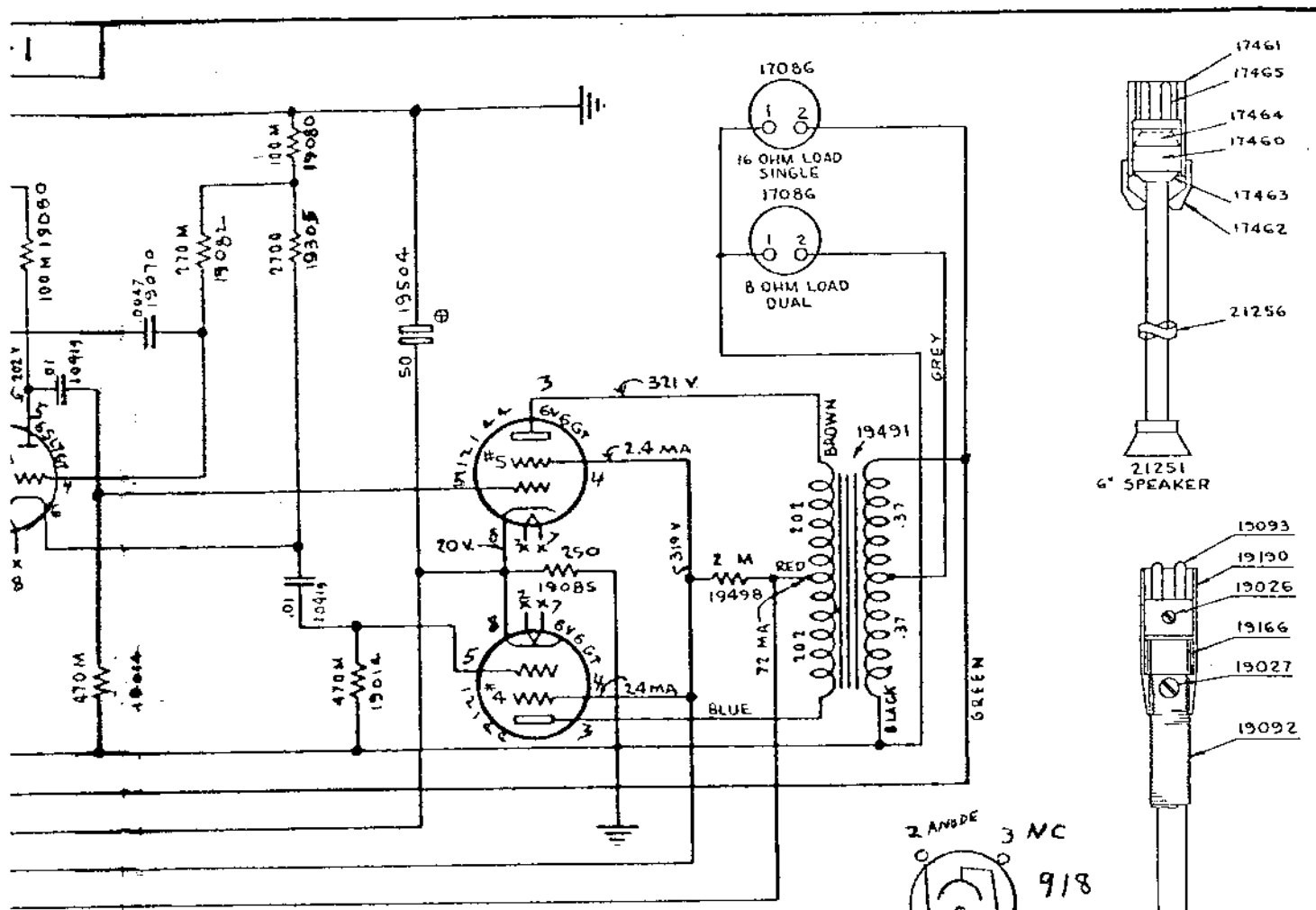
"S" INDICATES TERMINAL AT CLOCKWISE STOP. ALL VOLTAGES MEASURED WITH RESPECT TO CHASSIS & TONE CONTROL BASS.  
⊕ Δ INDICATES CAPACITORS IN BANK.

TUBE LAYOUT



NOT INCLUDED IN PROJECT WIRING





BELL + HOWELL 16MM  
FILMOSOUND PROJECTOR  
AMPLIFIER # 07137  
MODEL # 285

50 TO 60 CYCLES

Bell & Howell Co. Chicago U.S.A.		
14 W. AMPLIFIER WIRING DIAGRAM FOR DESIGNS 285 (ALL) (07137)		
DATE 11-29-55	SERVICE DATA	DRAWN and APVD. L.L.

055 GREEN X  
BLACK COMMON